



TECHNICAL DATA EnviroFLO Guttering

SMARTFLO GUTTERS

Leaf Free...Low Maintenance

Sankey Australia Pty. Ltd.
(A division of CMG Pty. Ltd.)
ABN 99 080 146 443
Head Office
19 Corporate Ave, Rowville
Victoria, 3178, Australia

Smartflo Gutters
Ingall Street (Ext)
PO Box 589
Mayfield, NSW, 2304
Tel: 61 (0)2 4968 0833
Fax: 61 (0)2 4967 2367

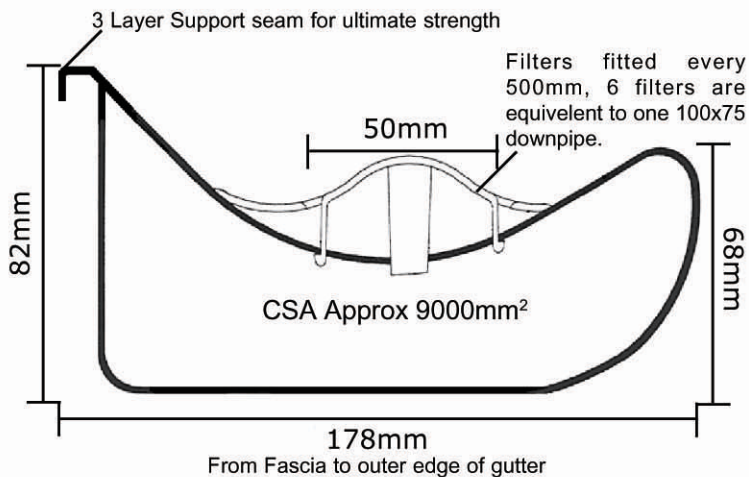
www.smartflo.com.au

Definition

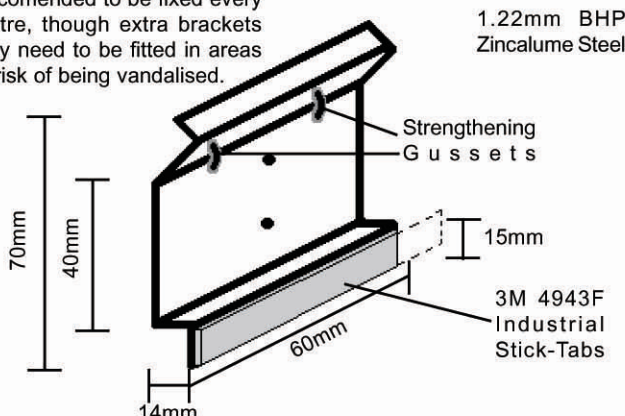
SmartFLO Guttering is an all purpose eaves guttering system that performs its intended function of collecting surface water from a roof and discharging it via downpipes to storage tanks or drains. The system comprises of a fully-formed tubular section, being the gutter, and a range of modular assembly components. The Guttering profile is designed to complement traditional to ultra modern architecture blending in with the building and its environment.

Guttering Features :-

- **Minimal Maintenance** – to maintain adequate catchment over long periods.
- **Longevity** – SmartFLO Guttering will out last most conventional guttering systems due to the self-shedding of leaves and associated corrosion problems.
- **Strength** – SmartFLO Guttering is by far stronger than any other Colorbond guttering available on the market.
- **Cleaner water** – due to it's superior design Guttering eliminates most debris from the roof making it the first choice for most people whom harvest rainwater.



Recommended to be fixed every metre, though extra brackets may need to be fitted in areas at risk of being vandalised.



Parts Guide

Gutter Manufactured in Mayfield NSW, from strong .55mm BHP ColorBond Zincalume Steel.



Filters GE AES 145, injection moulded, colour matched and are only visible from above.



Corners GE AES 145, injection moulded, Internal & External corners, 90 degrees, colour matched, smooth contoured lines.



Stopends GE AES 145, injection moulded, colour matched and smooth contoured lines



Brackets Bracket :- Manufactured from strong 1.22mm BHP Zincalume Steel.



Sticktab :-
3M 4943F Industrial Stick-Tabs, Double coated acrylic foam closed cell 60mm X 13mm X 1.1mm

Accessories & Optional Extras

- | | |
|--|---|
| Screws | Timber or Metal (Class 3). |
| Metal Fascia Support Brackets | To strengthen metal fascias for maximum support & strength. |
| Downpipe spouts | 90mm Round 100 x 75, 100 x 50 or as specified. |
| Touch-up paint | To suit ColorBond colours. |
| Powder Coating | For special colours. |
| Special Corners | As per requirement other than 90 degrees. |
| Installation Instruction Manual | Available on request. |

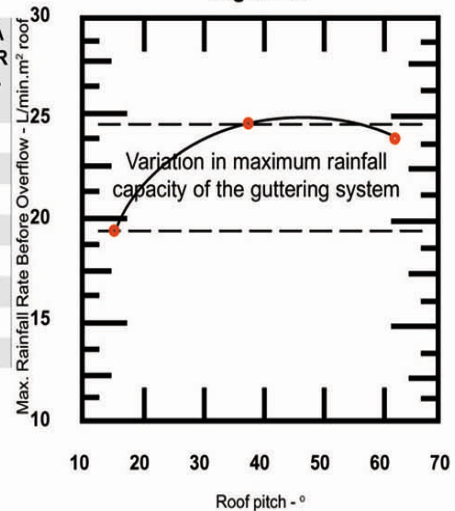
These results are based upon the formula in Appendix A of CSIRO Technical Paper No 7 which relates to an eaves gutter having one downpipe outlet at the end of the length.

Table 1.

LOCALITY	1 IN 20 YEAR STORM (mm/hr)	CATCHMENT AREA PER DOWNPIPE (m ²)	CATCHMENT AREA PER LINEAR METER OF GUTTER (m ²) - ROOF PITCH 15°	CATCHMENT AREA PER LINEAR METER OF GUTTER (m ²) - ROOF PITCH 35°
ADELAIDE	123	78	8.8	11.9
BRISBANE	251	38	4.3	5.9
CANBERRA	137	72	7.9	10.7
DARWIN	285	34	3.8	5.3
HOBART	99	96	10.8	14.8
MELBOURNE	127	78	8.5	11.6
PERTH	146	67	7.4	10.1
SYDNEY	214	45	5.0	6.9

All information provided herein was compiled using 50mm roof overhang.

Figure 1.



- SmartFLO Guttering - Catchment Rate = 1080 Litres per hour per linear metre (Roof Pitch 15°)
- SmartFLO Guttering - Catchment Rate = 1458 Litres per hour per linear metre (Roof Pitch 35°)

As a design characteristic during extended periods of intense rainfall, SmartFLO gutter is designed to overflow at the front safely away from the building structure.

Regulatory Requirements.

SmartFLO Guttering meets all necessary specifications set out in the Building Code of Australia (1986) , Australian Standard AS/NZS2179 1:1994 and AS3959 - Construction of Buildings in Bush Fire Prone Areas

Testing

In tests performed in the Fluid Mechanics Laboratory at the University of Newcastle, Australia by the Universities Research Division TUNRA, the SmartFLO Guttering System was found to handle severe stormwater run-off and to significantly outperform conventional guttering systems in a number of important areas including :

- The ability to shed leaves by the action of moderate winds (3 knots) between rainfall events.
- The ability to operate effectively when leaves sit in the gutter, partly blocking the outlets during rainfall events.
- The ability to shed leaves drastically increasing the service life of the guttering system.
- The added strength gained by the closed profile reduces the risk of damage and deformity under normal building maintenance activities.

The SmartFLO Maintenance Free Guttering System was found to be superior to conventional systems, offering vastly improved operational characteristics. The ability to shed leaves in light to moderate winds eliminates the need for regular cleaning and drastically slows the rate of corrosion and extends the service life. Even when small amounts of debris remain on the gutter between storms, the gutter can still cope with rainfall run-off equivalent to that occurring during a 1/20 year storm (190mm/hr). A full copy of these results is available upon request.

Physical Properties

Weight per metre - 2.321 kg
 BHP Colorbond Core Strip used in manufacture - 1000mm X 497mm X .55MM - .497m²

Disclaimer : The information supplied in this technical data sheet was correct at the time of publication, however SmartFLO does not guarantee it's accuracy. All information is subject to change at any time without notice. The above tables are a guide only and should not be used for specification purposes. Should more detailed information be required for specification purposes it is recommended to obtain the professional assistance of a person qualified in the field of fluid dynamics or mechanics (hydraulic/chemical engineer).